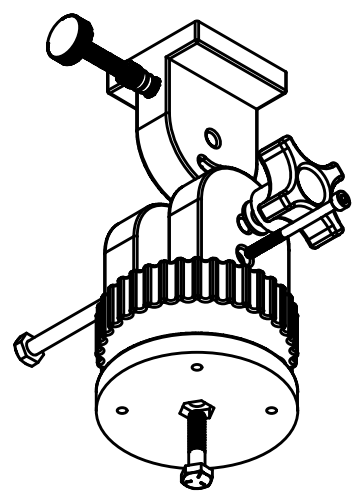
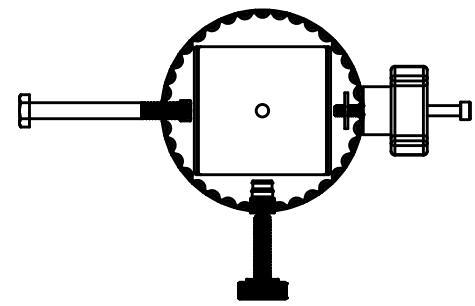
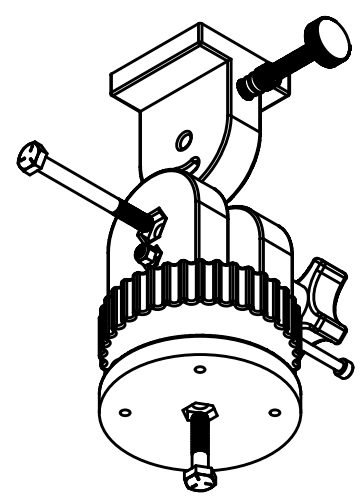


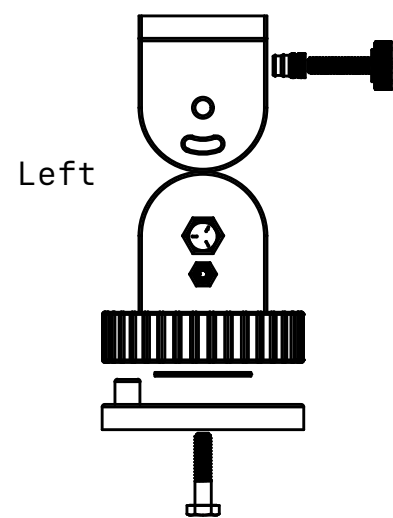
8 7 6 5 4 3 2 1

F
E
D
C
B
A

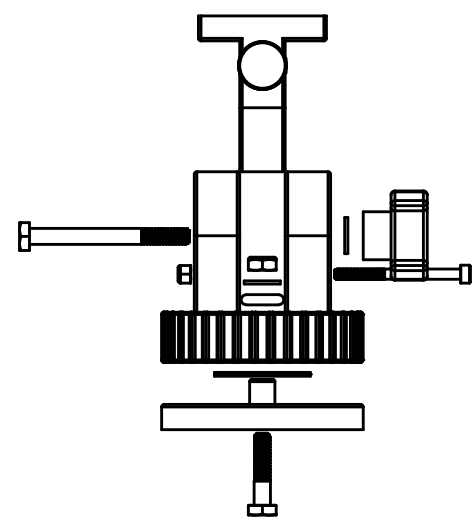
F
E
D
C
B
A



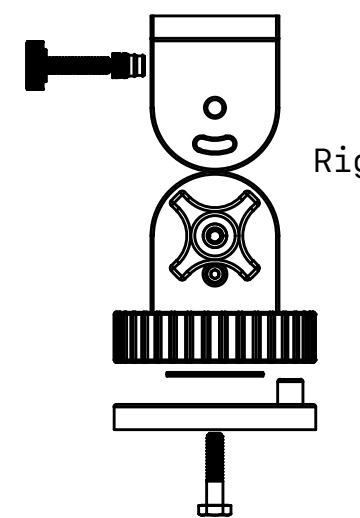
Top



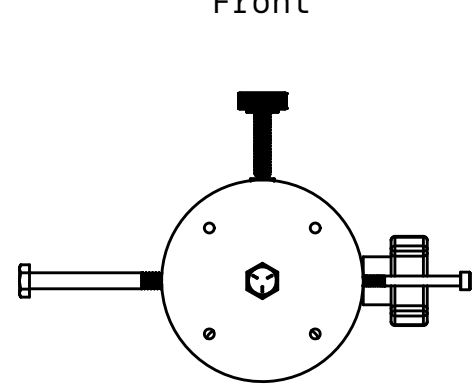
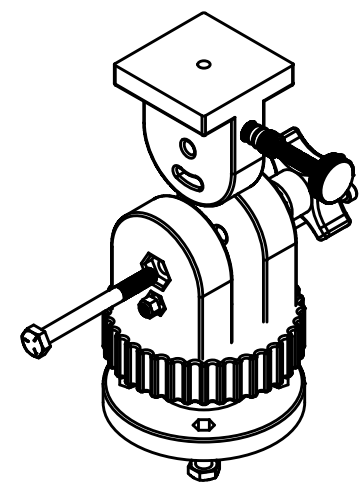
Left



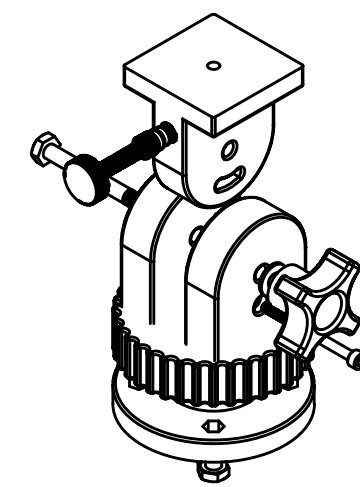
Front



Right



Bottom



Part Number	Description
92917A155	Nickel-Plated Brass Washer
90566A029	Low-Strength Steel Thin Nylon-Insert Locknut
92865A151	Medium-Strength Grade 5 Steel Hex Head Screw
91247A552	Medium-Strength Grade 5 Steel Hex Head Screw
91185A663	Plastic-Head Thumb Screws
7921K616	Nylon Four Arm Knob (color specific)
93365A162	Tapered Heat-Set Inserts for Plastic
90631A112	Low-Strength Steel Nylon-Insert Locknut
91292A140	18-8 Stainless Steel Socket Head Screw
90131A603	Abrasion-Resistant Cushioning Washer

TITLE
Launchpad Gimbal Detail

© 2024
Brian Schenkenberger

Launched Gimbal Exploded View

UNITS
mm

PROJ. ANG.

SIZE
B

SCALE
1:3

LAST UPDATED
12/04/24

8 7 6 5 4 3 2 1